

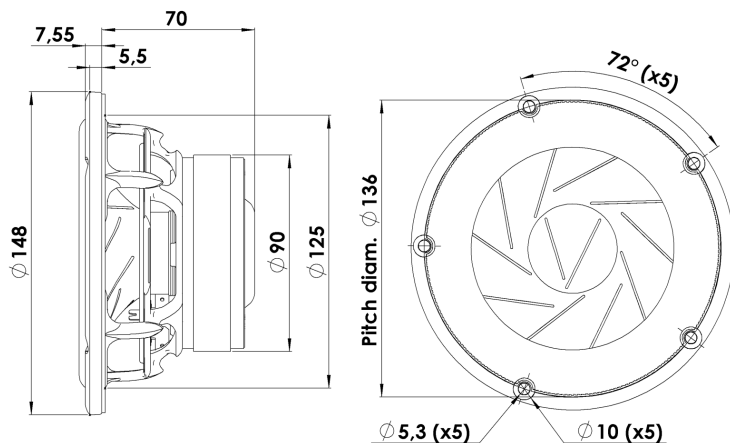


# REVELATOR

## MIDWOOFER

## 15W/8530K01

The Revelator midrange and midwoofers, both well known for their sliced paper cone technology. The slices are filled with damping glue, which dramatically reduces break-up modes in the diaphragm. In combination with Scan-Speaks low-loss linear suspension and the patented Symmetrical Drive (SD-1) it represented a breakthrough in midrange clarity and overall smooth frequency response characteristics.



### KEY FEATURES:

- Patented Symmetrical Drive Motor Design
- Coated Paper Cone
- Low Damping SBR Rubber Surround
- Sliced Cone (Controls Cone Breakups)
- Low-Loss linear suspension
- Die cast Alu Chassis vented below spider

#### T-S Parameters

Resonance frequency [fs]	32 Hz
Mechanical Q factor [Qms]	5.23
Electrical Q factor [Qes]	0.44
Total Q factor [Qts]	0.41
Force factor [Bl]	5.9 Tm
Mechanical resistance [Rms]	0.50 kg/s
Moving mass [Mms]	13 g
Compliance [Cms]	1.90 mm/N
Effective diaph. diameter [D]	110 mm
Effective piston area [Sd]	95 cm <sup>2</sup>
Equivalent volume [Vas]	24.0 l
Sensitivity (2.83V/1m)	84.5 dB
Ratio Bl/√Re	2.45 N/√W
Ratio fs/Qts	79 Hz

#### Notes:

IEC specs. refer to IEC 60268-5 third edition.  
All Scan-Speak products are RoHS compliant.  
Data are subject to change without notice.  
Datasheet updated: January 30, 2013.

#### Electrical Data

Nominal impedance [Zn]	8 Ω
Minimum impedance [Zmin]	6.9 Ω
Maximum impedance [Zo]	74.7 Ω
DC resistance [Re]	5.8 Ω
Voice coil inductance [Le]	0.35 mH

#### Power Handling

100h RMS noise test (IEC 17.1)	60 W
Long-term max power (IEC 17.3)	70 W

#### Voice Coil & Magnet Data

Voice coil diameter	38 mm
Voice coil height	18 mm
Voice coil layers	2
Height of gap	5 mm
Linear excursion	± 6.5 mm
Max mech. excursion	± 9 mm
Unit weight	1.2 kg

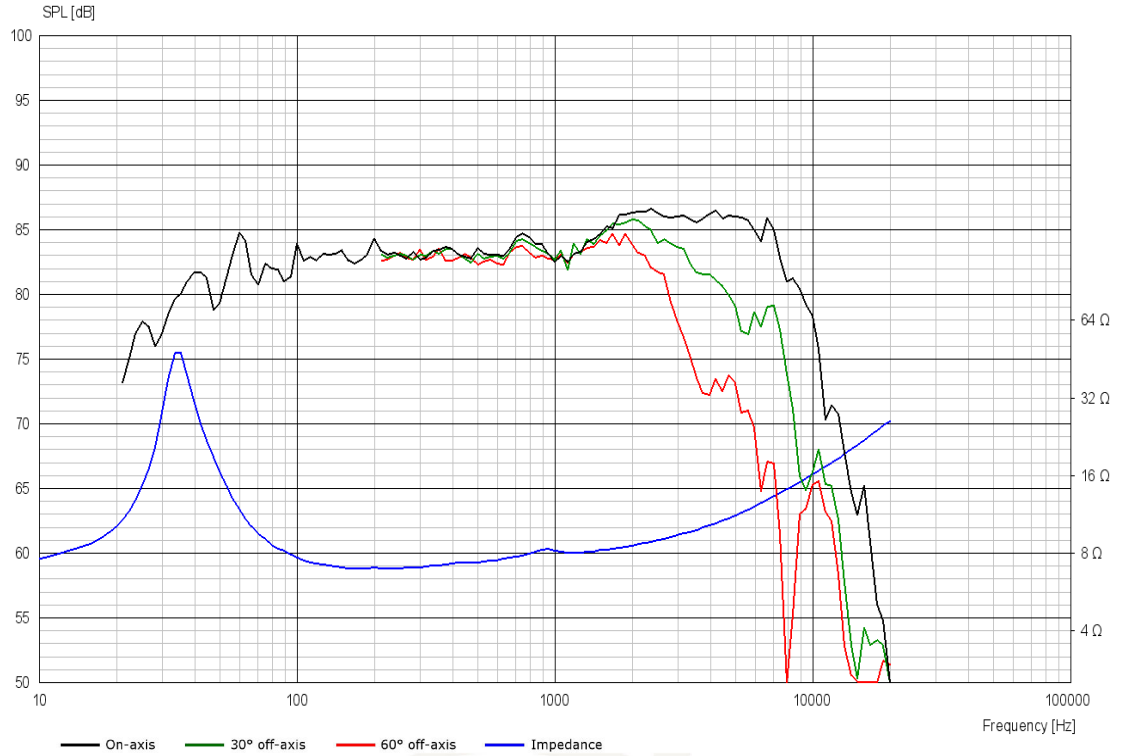




# REVELATOR

## MIDWOOFER

## 15W/8530K01



### Advanced Parameters (Preliminary)



#### Electrical data

Resistance [ $R_{E'}$ ]	5.87 $\Omega$
Free inductance [ $L_{EB}$ ]	0.122 mH
Bound inductance [ $L_E$ ]	2.65 mH
Semi-inductance [ $K_E$ ]	0.025 SH
Shunt resistance [ $R_{SS}$ ]	228 $\Omega$

#### Mechanical Data

Force Factor [ $BI$ ]	5.23 Tm
Moving mass [ $M_{MS}$ ]	13.1 g
Compliance [ $C_{MS}$ ]	1.01 mm/N
Mechanical resistance [ $R_{MS}$ ]	0.47 kg/s
Admittance [ $A_{MS}$ ]	0.08 mm/N

