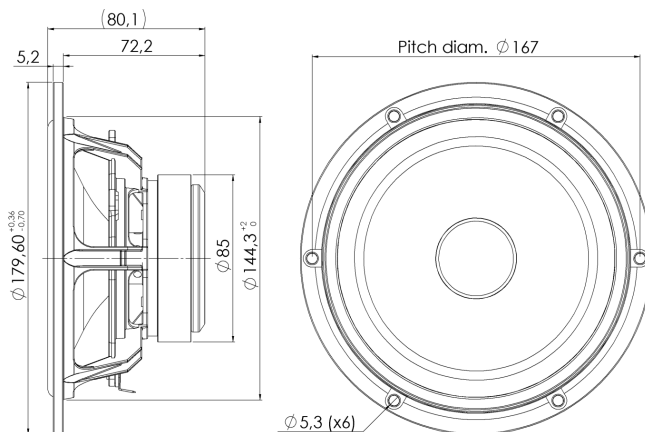




MIDWOOFER

18W/4424G00

The Discovery series offer traditional design, superior sound, a solid construction, and a wide range of variants. Combining these elements - plus a wealth of technical features and finesses - it gives our customers the possibility of acquiring a tailor-made Scan-Speak solution with very good performance at a reasonable low price point!



KEY FEATURES:

- High Output 91dB @ 2,83V
- Coated NRSC Fibre Glass Cone
- Die cast Alu Chassis vented below spider
- Excellent Midrange Performance
- Low Damping SBR Rubber Surround

T-S Parameters

Resonance frequency [fs]	49 Hz
Mechanical Q factor [Qms]	4.57
Electrical Q factor [Qes]	0.42
Total Q factor [Qts]	0.38
Force factor [Bl]	5.2 Tm
Mechanical resistance [Rms]	0.77 kg/s
Moving mass [Mms]	11.4 g
Compliance [Cms]	0.92 mm/N
Effective diaph. diameter [D]	132 mm
Effective piston area [Sd]	137 cm ²
Equivalent volume [Vas]	24.1 l
Sensitivity (2.83V/1m)	90.9 dB
Ratio Bl/√Re	2.91 N/√W
Ratio fs/Qts	128 Hz

Notes:

IEC specs. refer to IEC 60268-5 third edition.
All Scan-Speak products are RoHS compliant.
Data are subject to change without notice.
Datasheet updated: January 30, 2013.

Electrical Data

Nominal impedance [Zn]	4 Ω
Minimum impedance [Zmin]	4.1 Ω
Maximum impedance [Zo]	38.0 Ω
DC resistance [Re]	3.2 Ω
Voice coil inductance [Le]	0.47 mH

Power Handling

100h RMS noise test (IEC 17.1)	50 W
Long-term max power (IEC 17.3)	110 W

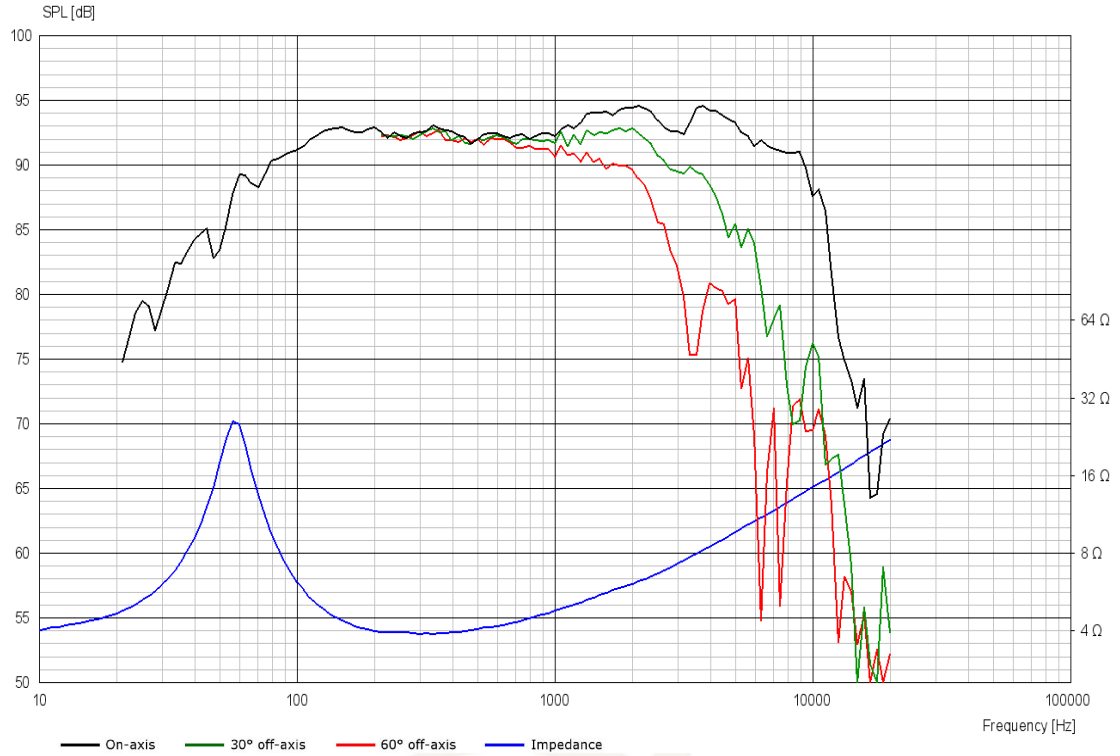
Voice Coil & Magnet Data

Voice coil diameter	25 mm
Voice coil height	10.5 mm
Voice coil layers	2
Height of gap	5 mm
Linear excursion	± 2.8 mm
Max mech. excursion	± 8 mm
Unit weight	1.1 kg

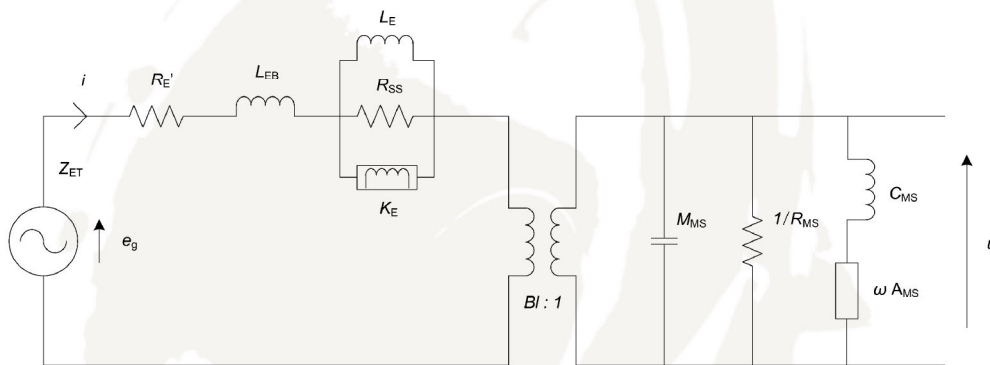


MIDWOOFER

18W/4424G00



Advanced Parameters (Preliminary)



Electrical data

Resistance [$R_{E'}$]	3.19 Ω
Free inductance [L_{EB}]	0.040 mH
Bound inductance [L_E]	0.61 mH
Semi-inductance [K_E]	0.061 SH
Shunt resistance [R_{SS}]	208 Ω

Mechanical Data

Force Factor [BI]	5.19 Tm
Moving mass [M_{MS}]	12.6 g
Compliance [C_{MS}]	0.74 mm/N
Mechanical resistance [R_{MS}]	0.99 kg/s
Admittance [A_{MS}]	0.10 mm/N