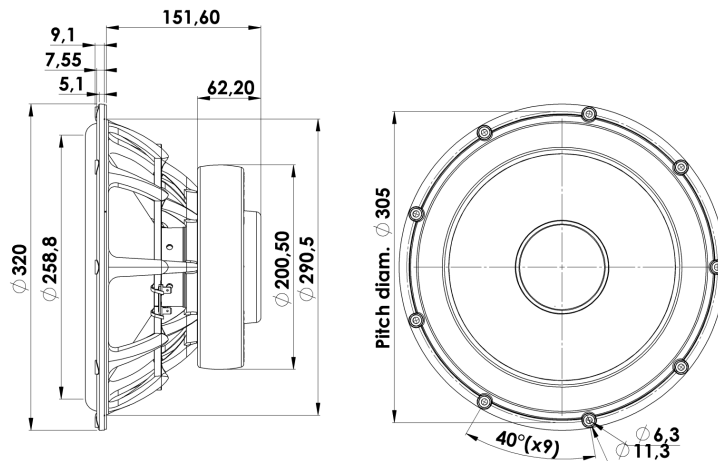


REVELATOR

SUBWOOFER

32W/4878T00

The 32W/4878T00 is the most powerful sub woofer designed by Scan-speak to this date, with its large 3" voice coil, extreme linear excursion and low resonance frequency is it perfect to reproduce the deepest frequencies. It features a brand new type of paper-sandwich cone with a special foam filling technology (patented) that gives the cone very high stiffness and relative low weight. The motor system has heavy duty copper sleeves for optimizing eddy currents and minimizing self-induction.



KEY FEATURES:

- Paper sandwich cone with Patented foam filling
- Patented Symmetrical Drive motor
- Spider with balanced woven in tinsel leads
- Extreme linear excursion (+/-14 mm)
- 3" Voice coil, Titanium former and paper reinforced
- Stiff and strong die cast aluminium chassis

T-S Parameters

| | |
|-------------------------------|---------------------|
| Resonance frequency [fs] | 18 Hz |
| Mechanical Q factor [Qms] | 7 |
| Electrical Q factor [Qes] | 0.33 |
| Total Q factor [Qts] | 0.32 |
| Force factor [Bl] | 12.5 Tm |
| Mechanical resistance [Rms] | 2.42 kg/s |
| Moving mass [Mms] | 150 g |
| Compliance [Cms] | 0.52 mm/N |
| Effective diaph. diameter [D] | 260 mm |
| Effective piston area [Sd] | 526 cm ² |
| Equivalent volume [Vas] | 203.9 l |
| Sensitivity (2.83V/1m) | 90 dB |
| Ratio Bl/√Re | 7.1 N/√W |
| Ratio fs/Qts | 56.3 Hz |

Notes:

IEC specs. refer to IEC 60268-5 third edition.
All Scan-Speak products are RoHS compliant.
Data are subject to change without notice.
Datasheet updated: October 4, 2013.

Electrical Data

| | |
|----------------------------|--------|
| Nominal impedance [Zn] | 4 Ω |
| Minimum impedance [Zmin] | 4 Ω |
| Maximum impedance [Zo] | 69 Ω |
| DC resistance [Re] | 3.1 Ω |
| Voice coil inductance [Le] | 0.5 mH |

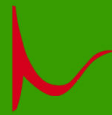
Power Handling

| | |
|--------------------------------|-------|
| 100h RMS noise test (IEC 17.1) | 200 W |
| Long-term max power (IEC 17.3) | 550 W |

Voice Coil & Magnet Data

| | |
|---------------------|---------|
| Voice coil diameter | 75 mm |
| Voice coil height | 36 mm |
| Voice coil layers | 2 |
| Height of gap | 8 mm |
| Linear excursion | ± 14 mm |
| Max mech. excursion | ± 28 mm |
| Unit weight | 7.5 kg |

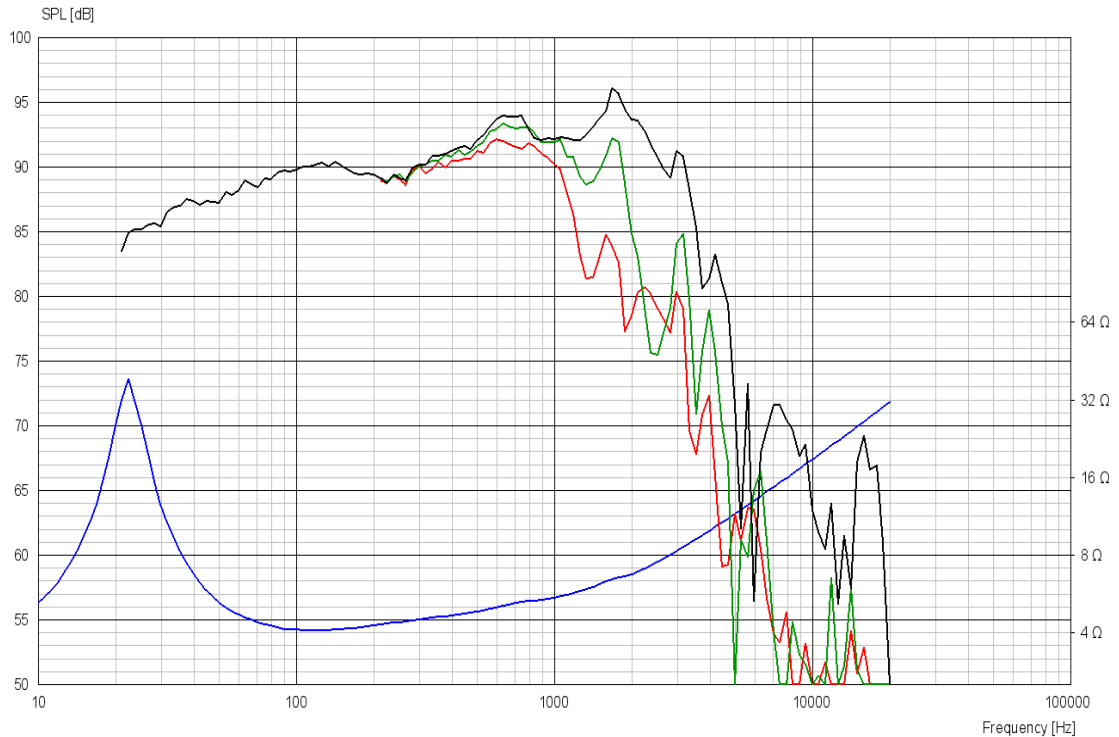




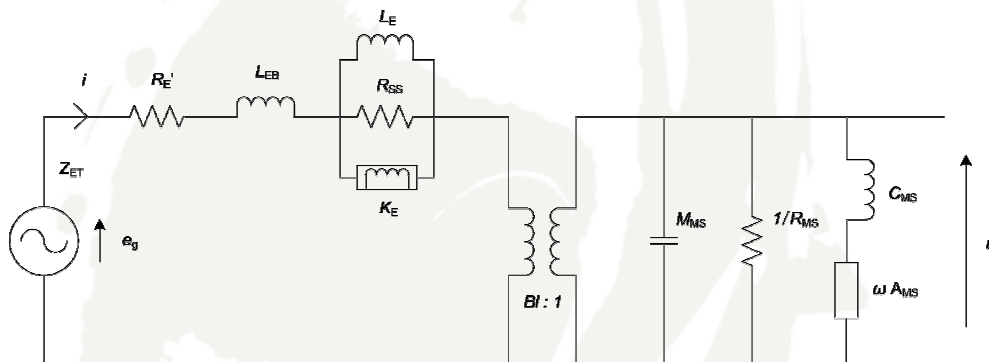
REVELATOR

SUBWOOFER

32W/4878T00



Advanced Parameters (Preliminary)



Electrical data

| | |
|------------------------|----------|
| Resistance [Re'] | 3.12 Ω |
| Free inductance [Leb] | 0.249 mH |
| Bound inductance [Le] | 12.07 mH |
| Semi-inductance [Ke] | 0.038 SH |
| Shunt resistance [Rss] | 8 Ω |

Mechanical Data

| | |
|-----------------------------|-----------|
| Force Factor [BI] | 12.31 Tm |
| Moving mass [Mms] | 146.3 g |
| Compliance [Cms] | 0.68 mm/N |
| Mechanical resistance [Rms] | 2.60 kg/s |
| Admittance [Ams] | 0.11 mm/N |