

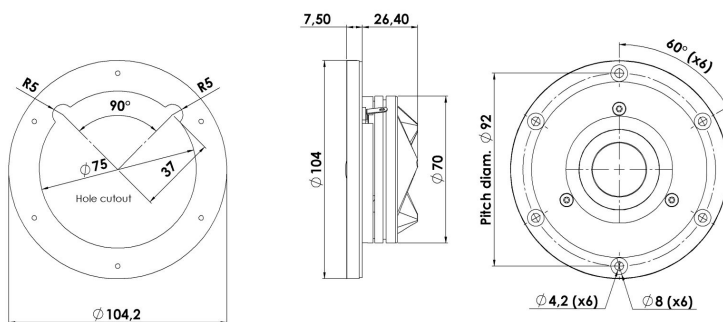


REVELATOR

TWEETER

D2904/710003

The Revelator Tweeters large roll surround technology represents a breakthrough in overall performance, with outstanding off-axis response, high output capability and low resonance frequency. Additional enhancements have been made to reduce distortion and power compression, such as large neodymium magnet systems for high sensitivity, and a careful design to optimise airflow in the chambers.



KEY FEATURES:

- 1" Coated Textile Diaphragm
- Patented Symmetrical Drive (SD-2) motor
- Non Resonant Alu Rear Chamber
- Large Roll Surround f. Wide Dispersion
- Large Ring Neo Magnet f. High Output
- Black Anodized Machined Alu Face Plate

T-S Parameters

| | |
|-------------------------------|-------------------|
| Resonance frequency [fs] | 520 Hz |
| Mechanical Q factor [Qms] | 3.50 |
| Electrical Q factor [Qes] | 0.50 |
| Total Q factor [Qts] | 0.44 |
| Force factor [Bl] | 2.8 Tm |
| Mechanical resistance [Rms] | 0.37 kg/s |
| Moving mass [Mms] | 0.4 g |
| Compliance [Cms] | 0.23 mm/N |
| Effective diaph. diameter [D] | 30 mm |
| Effective piston area [Sd] | 7 cm ² |
| Equivalent volume [Vas] | 0.02 l |
| Sensitivity (2.83V/1m) | 94.4 dB |
| Ratio Bl/√Re | 1.62 N/√W |
| Ratio fs/Qts | 1189 Hz |

Notes:

IEC specs. refer to IEC 60268-5 third edition.
All Scan-Speak products are RoHS compliant.
Data are subject to change without notice.
Datasheet updated: January 17, 2019.

Electrical Data

| | |
|----------------------------|---------------|
| Nominal impedance [Zn] | 4 Ω |
| Minimum impedance [Zmin] | 3.7 Ω |
| Maximum impedance [Zo] | 24.0 Ω |
| DC resistance [Re] | 3 Ω |
| Voice coil inductance [Le] | 0.01 mH |

Power Handling

| | |
|---------------------------------|-------|
| 100h RMS noise test (IEC 17.1)* | 90 W |
| Long-term max power (IEC 17.3)* | 150 W |

*Filter: 2. order HP Butterworth, 2.5 kHz

Voice Coil & Magnet Data

| | |
|---------------------|--------------|
| Voice coil diameter | 26 mm |
| Voice coil height | 2.4 mm |
| Voice coil layers | 2 |
| Height of gap | 2.5 mm |
| Linear excursion | ± 0.2 mm |
| Max mech. excursion | ± 1.6 mm |
| Unit weight | 0.4 kg |

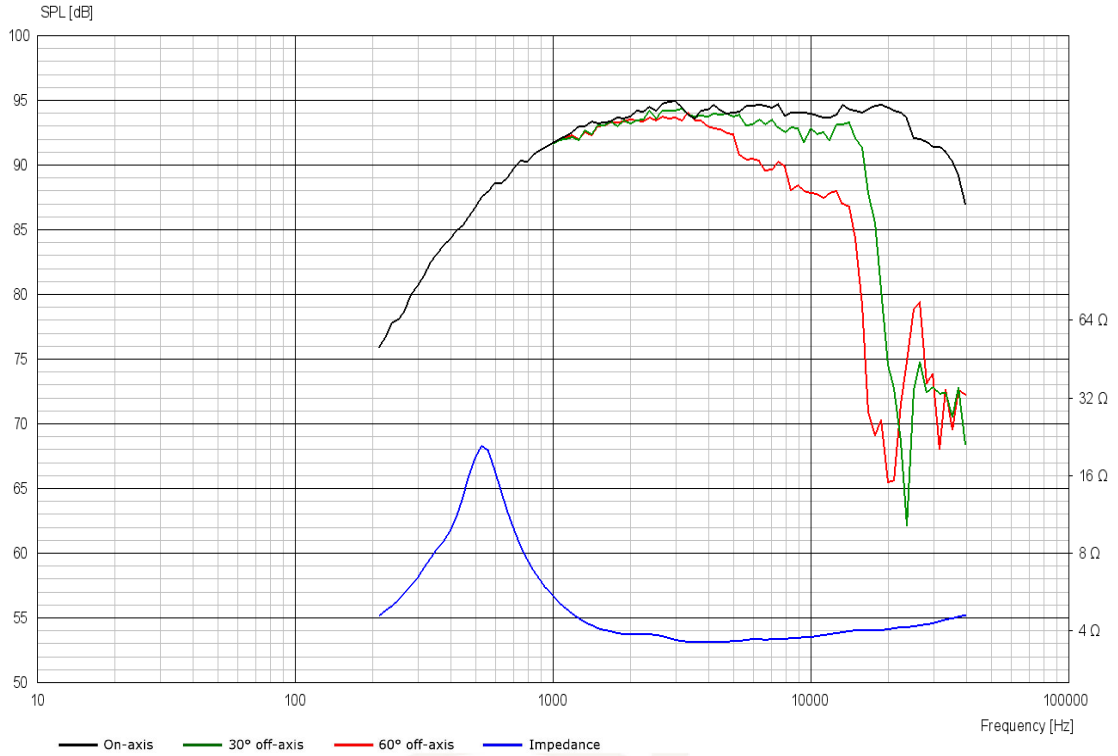




REVELATOR

TWEETER

D2904/710003



Advanced Parameters (Preliminary)



Electrical data

| | |
|-------------------------------|------------|
| Resistance [$R_{E'}$] | - Ω |
| Free inductance [L_{EB}] | - mH |
| Bound inductance [L_E] | - mH |
| Semi-inductance [K_E] | - SH |
| Shunt resistance [R_{SS}] | - Ω |

Mechanical Data

| | |
|------------------------------------|--------|
| Force Factor [BI] | - Tm |
| Moving mass [M_{MS}] | - g |
| Compliance [C_{MS}] | - mm/N |
| Mechanical resistance [R_{MS}] | - kg/s |
| Admittance [A_{MS}] | - mm/N |

