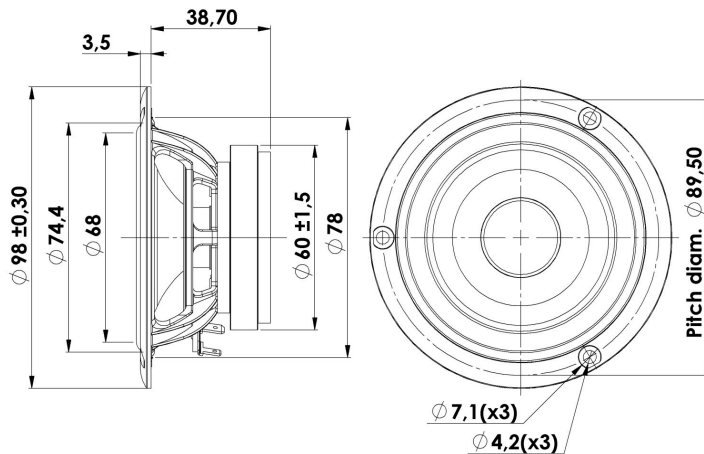




## FULLRANGE

## 10F/8424-00

OEM Line



### KEY FEATURES:

- Very wide Frequency Range
- Copper Cap on Pole Piece
- SBR Rubber Surround

- Compact Size
- Glass Fiber Cone

#### T-S Parameters

Resonance frequency [fs]	100 Hz
Mechanical Q factor [Qms]	2.4
Electrical Q factor [Qes]	1.1
Total Q factor [Qts]	0.76
Force factor [Bl]	2.8 Tm
Mechanical resistance [Rms]	0.58 kg/s
Moving mass [Mms]	2.25 g
Compliance [Cms]	1.12 mm/N
Effective diaph. diameter [D]	68 mm
Effective piston area [Sd]	36.3 cm <sup>2</sup>
Equivalent volume [Vas]	2.05 l
Sensitivity (2.83V/1m)	84 dB
Ratio Bl/√Re	1.13 N/√W
Ratio fs/Qts	132 Hz

#### Notes:

IEC specs. refer to IEC 60268-5 third edition.  
All Scan-Speak products are RoHS compliant.  
Data are subject to change without notice.  
Datasheet updated: 18-06-2012

#### Electrical Data

Nominal impedance [Zn]	8 Ω
Minimum impedance [Zmin]	6.9 Ω
Maximum impedance [Zo]	20 Ω
DC resistance [Re]	6.3 Ω
Voice coil inductance [Le]	0.12 mH

#### Power Handling

100h RMS noise test (IEC 17.1)	15 W
Long-term max power (IEC 17.3)	30 W

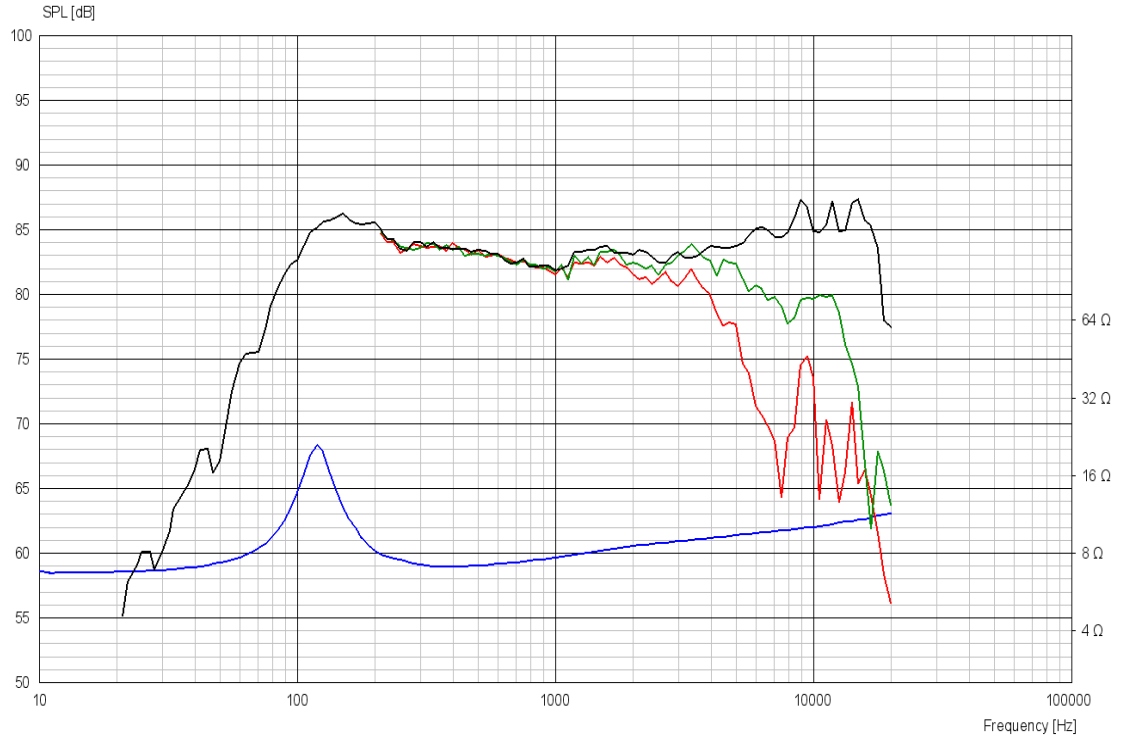
#### Voice Coil & Magnet Data

Voice coil diameter	19.4 mm
Voice coil height	8.7 mm
Voice coil layers	2
Height of gap	4 mm
Linear excursion	± 2.3 mm
Max mech. excursion	± 7.5 mm
Unit weight	0.27 kg

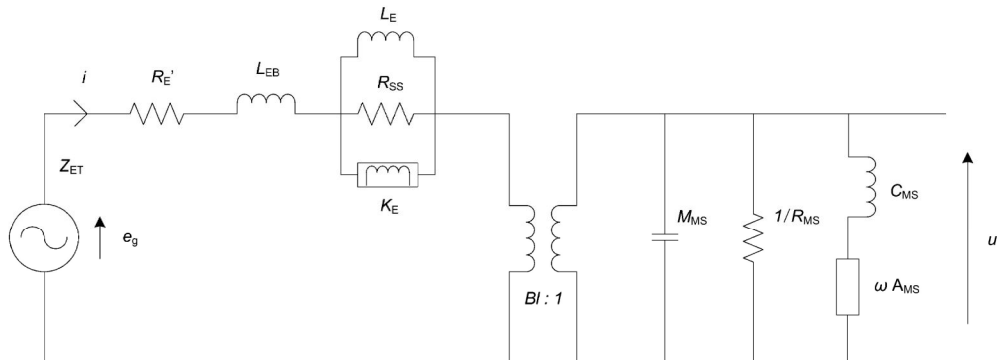


FULLRANGE

10F/8424-00



## Advanced Parameters (Preliminary)



### Electrical data

Resistance [Re']	6.57 Ω
Free inductance [Leb]	0.0402 mH
Bound inductance [Le]	0.479 mH
Semi-inductance [Ke]	0.0662 SH
Shunt resistance [Rss]	3.73 Ω

### Mechanical Data

Force Factor [BI]	2.88 Tm
Moving mass [Mms]	2.76 g
Compliance [Cms]	0.565 mm/N
Mechanical resistance [Rms]	0.609 kg/s
Admittance [Ams]	0.06 mm/N