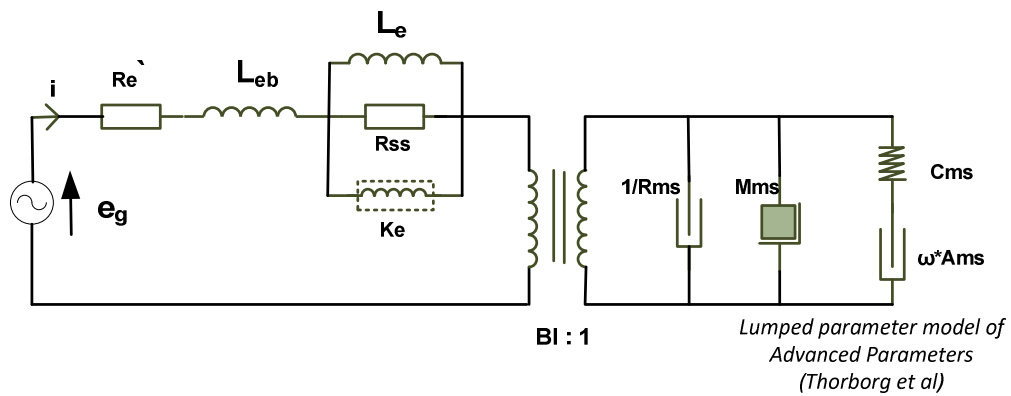


10F/4424G00



Electrical data

DC resistance ($R_{e'}$)	3.22	[Ω]
Free inductance (L_{eb})	0.020	[mH]
Bound inductance (L_e)	0.22	[mH]
Semi inductance (K_e)	0.042	SH
Shunt resistance (R_{ss})	3	[Ω]

Mechanical data

Force factor (BI)	4.10	[Tm]
Moving mass (M_{ms})	3.1	[g]
Compliance (C_{ms})	0.72	[mm/N]
Admittance (A_{ms})	0.12	[mm/N]
Mechanical resistance (R_{ms})	0.80	[Ns/m]