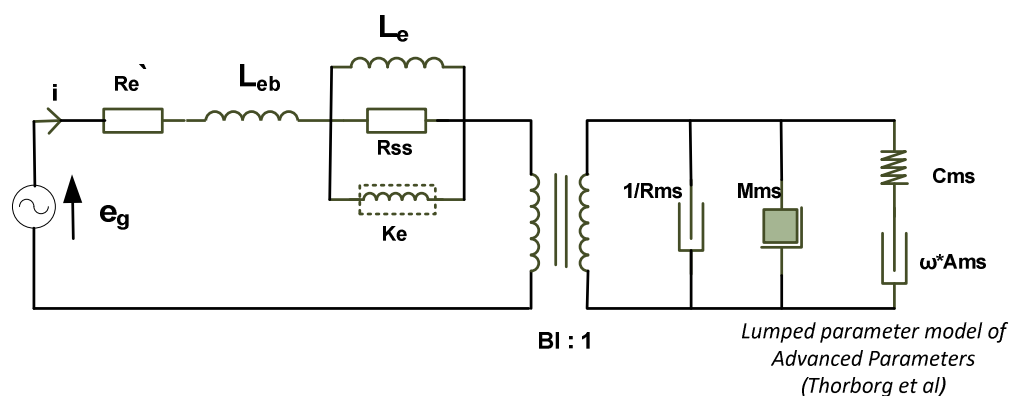


# 12M/4631G00



### Electrical data

DC resistance ( $R_{e'}$ )	3.25	[ $\Omega$ ]
Free inductance ( $L_{eb}$ )	0.059	[mH]
Bound inductance ( $L_e$ )	0.35	[mH]
Semi inductance ( $K_e$ )	0.028	SH
Shunt resistance ( $R_{ss}$ )	145	[ $\Omega$ ]

### Mechanical data

Force factor (BI)	5.18	[Tm]
Moving mass ( $M_{ms}$ )	7.1	[g]
Compliance ( $C_{ms}$ )	0.48	[mm/N]
Admittance ( $A_{ms}$ )	0.04	[mm/N]
Mechanical resistance ( $R_{ms}$ )	0.73	[Ns/m]