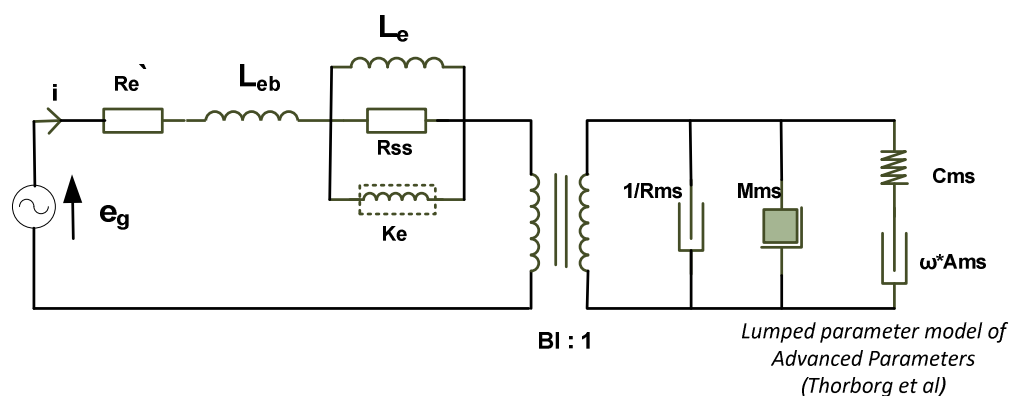


15M/4531K00



Electrical data

DC resistance ($R_{e'}$)	3.52	[Ω]
Free inductance (L_{eb})	0.061	[mH]
Bound inductance (L_e)	1.34	[mH]
Semi inductance (K_e)	0.016	SH
Shunt resistance (R_{ss})	438	[Ω]

Mechanical data

Force factor (BI)	5.46	[Tm]
Moving mass (M_{ms})	10.9	[g]
Compliance (C_{ms})	1.12	[mm/N]
Admittance (A_{ms})	0.10	[mm/N]
Mechanical resistance (R_{ms})	0.43	[Ns/m]