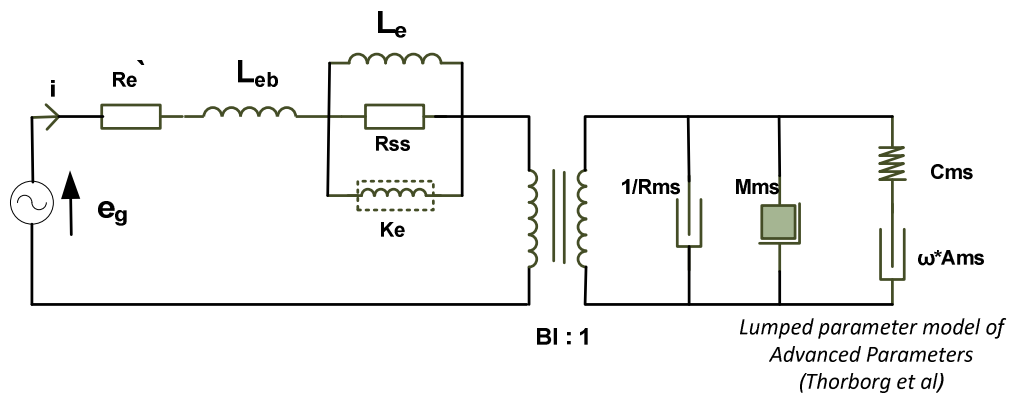


18W/8531G00



Electrical data

DC resistance (R_e')	5.92	[Ω]
Free inductance (L_{eb})	0.122	[mH]
Bound inductance (L_e)	2.31	[mH]
Semi inductance (K_e)	0.026	SH
Shunt resistance (R_{ss})	220	[Ω]

Mechanical data

Force factor (BI)	6.42	[Tm]
Moving mass (M_{ms})	17.3	[g]
Compliance (C_{ms})	1.49	[mm/N]
Admittance (A_{ms})	0.17	[mm/N]
Mechanical resistance (R_{ms})	0.57	[Ns/m]