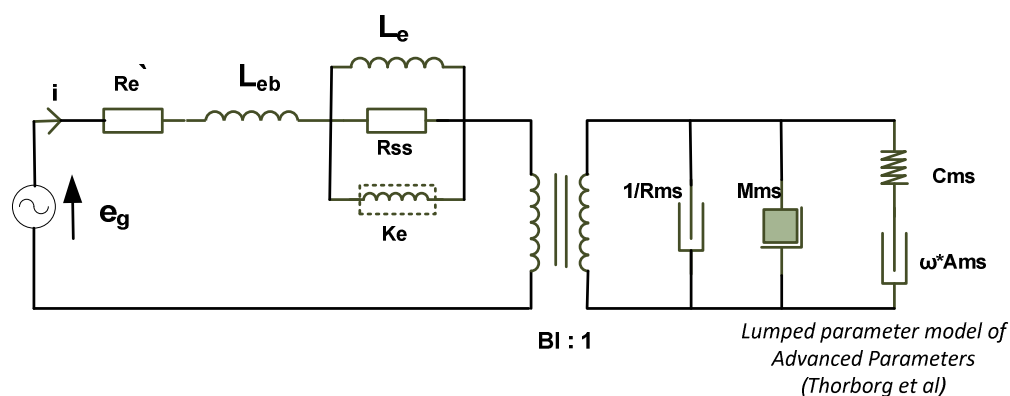


18W/8545-01



Electrical data

DC resistance ($R_{e'}$)	5.92	[Ω]
Free inductance (L_{eb})	0.107	[mH]
Bound inductance (L_e)	0.819	[mH]
Semi inductance (K_e)	0.0343	SH
Shunt resistance (R_{ss})	14093	[Ω]

Mechanical data

Force factor (BI)	7.0	[Tm]
Moving mass (M_{ms})	18	[g]
Compliance (C_{ms})	2.05	[mm/N]
Admittance (A_{ms})	0.241	[mm/N]
Mechanical resistance (R_{ms})	1.26	[Ns/m]