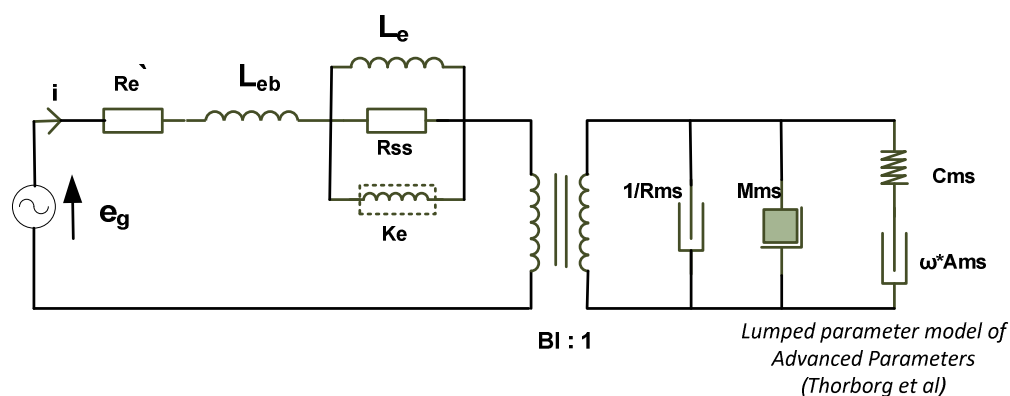


18WU/4741T00



Electrical data

| | | |
|-------------------------------|--------|--------------|
| DC resistance ($R_{e'}$) | 3.34 | [Ω] |
| Free inductance (L_{eb}) | 0.0465 | [mH] |
| Bound inductance (L_e) | 4.01 | [mH] |
| Semi inductance (K_e) | 0.0775 | SH |
| Shunt resistance (R_{ss}) | 4.79 | [Ω] |

Mechanical data

| | | |
|------------------------------------|-------|--------|
| Force factor (BI) | 5.91 | [Tm] |
| Moving mass (M_{ms}) | 19.1 | [g] |
| Compliance (C_{ms}) | 0.814 | [mm/N] |
| Admittance (A_{ms}) | 0.142 | [mm/N] |
| Mechanical resistance (R_{ms}) | 1.08 | [Ns/m] |