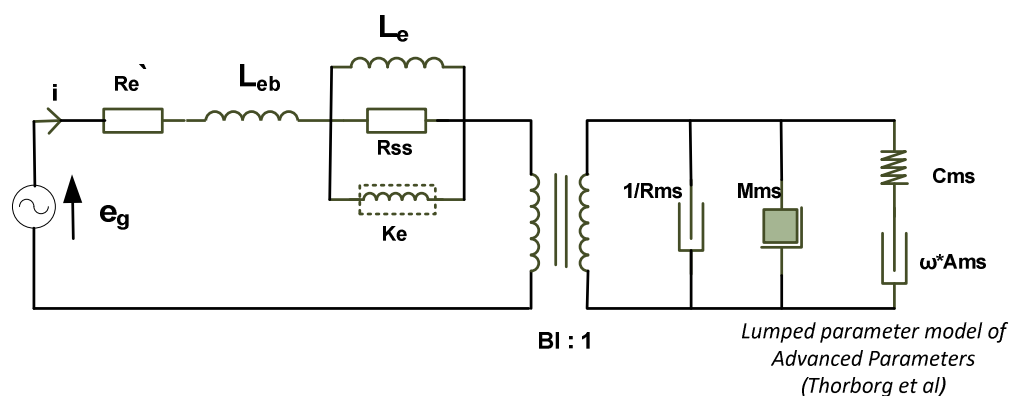


# 18WU/8741T00



**Electrical data**

DC resistance ( $R_{e'}$ )	5.92	[ $\Omega$ ]
Free inductance ( $L_{eb}$ )	0.0765	[mH]
Bound inductance ( $L_e$ )	6.28	[mH]
Semi inductance ( $K_e$ )	0.124	SH
Shunt resistance ( $R_{ss}$ )	7.47	[ $\Omega$ ]

**Mechanical data**

Force factor (BI)	7.25	[Tm]
Moving mass ( $M_{ms}$ )	19.0	[g]
Compliance ( $C_{ms}$ )	1.04	[mm/N]
Admittance ( $A_{ms}$ )	0.200	[mm/N]
Mechanical resistance ( $R_{ms}$ )	0.955	[Ns/m]