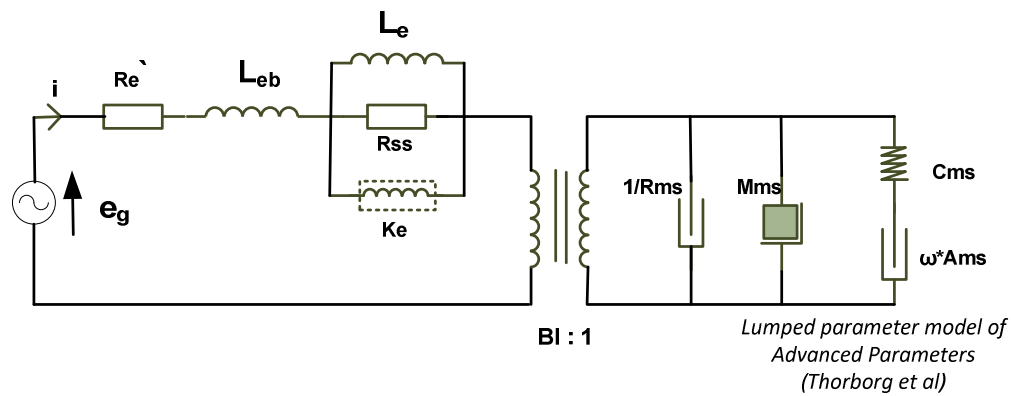


26W/4867T00



Electrical data

DC resistance ($R_{e'}$)	3.64	[Ω]
Free inductance (L_{eb})	0.130	[mH]
Bound inductance (L_e)	9.00	[mH]
Semi inductance (K_e)	0.0191	SH
Shunt resistance (R_{ss})	19.5	[Ω]

Mechanical data

Force factor (BI)	7.50	[Tm]
Moving mass (M_{ms})	53.3	[g]
Compliance (C_{ms})	1.27	[mm/N]
Admittance (A_{ms})	0.176	[mm/N]
Mechanical resistance (R_{ms})	1.19	[Ns/m]