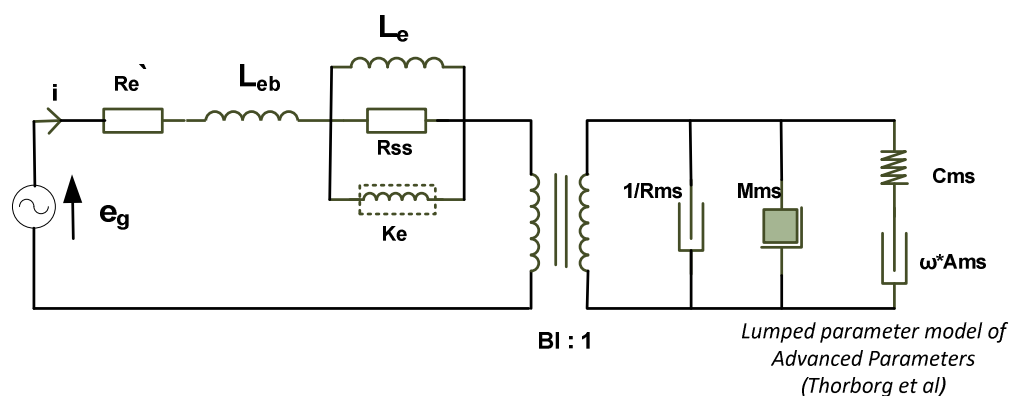


# 30W/4558T00



### Electrical data

DC resistance ( $R_{e'}$ )	2.72	[ $\Omega$ ]
Free inductance ( $L_{eb}$ )	0.280	[mH]
Bound inductance ( $L_e$ )	1.96	[mH]
Semi inductance ( $K_e$ )	0.054	SH
Shunt resistance ( $R_{ss}$ )	260	[ $\Omega$ ]

### Mechanical data

Force factor (BI)	10.37	[Tm]
Moving mass ( $M_{ms}$ )	129.3	[g]
Compliance ( $C_{ms}$ )	0.68	[mm/N]
Admittance ( $A_{ms}$ )	0.07	[mm/N]
Mechanical resistance ( $R_{ms}$ )	1.80	[Ns/m]