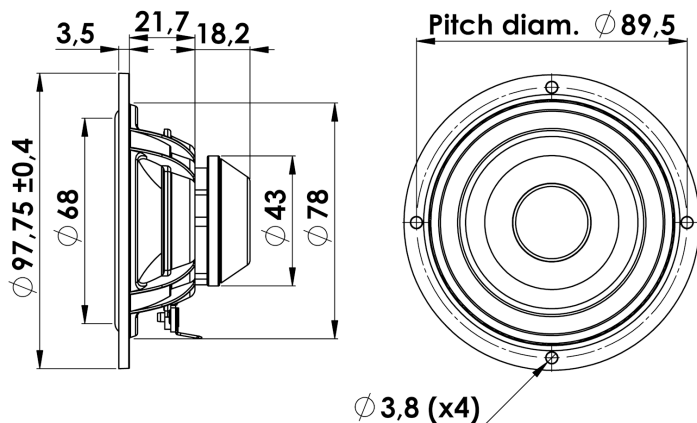


10 cm Midrange

10M/4614G06



### T-S Parameters:

Resonance frequency [fs]	90 Hz
Mechanical Q factor [Qms]	3.2
Electrical Q factor [Qes]	0.32
Total Q factor [Qts]	0.29
Force factor [Bl]	3.9 Tm
Mechanical resistance [Rms]	0.49 kg/s
Moving mass [Mms]	2.8 g
Compliance [Cms]	1.1 mm/N
Effective diaph. diameter [D]	68 mm
Effective piston area [Sd]	36 cm <sup>2</sup>
Equivalent volume [Vas]	2.0 l
Sensitivity (2,83V/1m)	90 dB

### Mechanical Data:

Voice coil diameter	20 mm
Voice coil height	9.2 mm
Voice coil layers	2
Gap height	4 mm
Linear excursion	± 2.6 mm
Max mech. excursion	± 7 mm
Unit weight	0.3 kg
Cabinet Displacement Volume	0.04 l

### Electrical Data:

Nominal impedance [Zn]	4 $\Omega$
Minimum impedance [Zmin]	3.8 $\Omega$
Maximum impedance [Zo]	34.5 $\Omega$
DC resistance [Re]	3.2 $\Omega$
Voice coil inductance [Le]	0.1 mH

### Power Handling:

100h RMS noise test (IEC 18.4)	- W
Long-term max power (IEC 18.2)	125 W
X-over:	2. order HP Butterworth, 200Hz

### Key Features:

- Very wide Frequency Range
- High Sensitivity 90dB / 2,83V
- Coated NRSC Fibre Glass Cone (patent)
- SBR Rubber Surround
- Compact Size, Neo magnet, Alu. Chassis
- Copper Cap on Pole Piece

### Recommendations (please see Tech Note):

- Operating frequency range: 100-12000 Hz
- Cabinet volume - closed box: Vbox=0.5 ltr, f(-3dB)=200 Hz
- Cabinet volume - vented box: Vbox=1.5 ltr, fb=110 Hz, f(-3dB)=106 Hz

