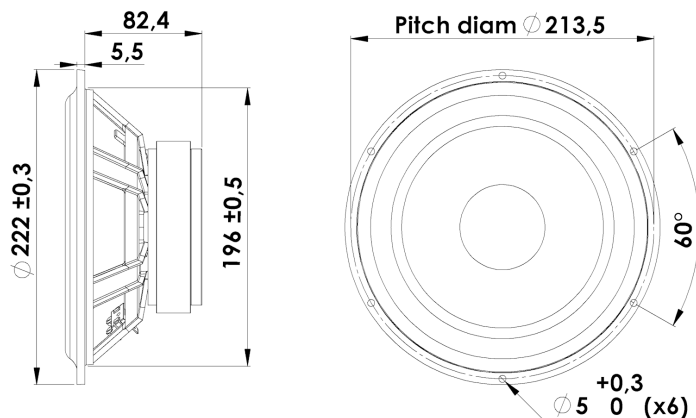


21 cm Woofer

21W/8555-10



T-S Parameters:

Resonance frequency [fs]	20 Hz
Mechanical Q factor [Qms]	4.50
Electrical Q factor [Qes]	0.33
Total Q factor [Qts]	0.31
Force factor [Bl]	8.2 Tm
Mechanical resistance [Rms]	0.89 kg/s
Moving mass [Mms]	32 g
Compliance [Cms]	1.98 mm/N
Effective diaph. diameter [D]	167 mm
Effective piston area [Sd]	220 cm ²
Equivalent volume [Vas]	134 l
Sensitivity (2,83V/1m)	87 dB

Mechanical Data:

Voice coil diameter	42 mm
Voice coil height	19 mm
Voice coil layers	2
Gap height	6 mm
Linear excursion	± 6.5 mm
Max mech. excursion	± 12 mm
Unit weight	2.2 kg
Cabinet Displacement Volume	0.64 l

Electrical Data:

Nominal impedance [Zn]	8 Ω
Minimum impedance [Zmin]	6.4 Ω
Maximum impedance [Zo]	80.5 Ω
DC resistance [Re]	5.5 Ω
Voice coil inductance [Le]	0.4 mH

Power Handling:

100h RMS noise test (IEC 18.4)	100 W
Long-term max power (IEC 18.2)	160 W
X-over:	None

Key Features:

- Patented Symmetrical Drive Motor Design SD-1
- Die Cast Alu. Chassis
- Low-Loss linear suspension
- Air Dried Paper/Carbon Fibre Cone
- Low Damping SBR Rubber Surround
- 42mm Voice Coil

Recommendations (please see Tech Note):

- Operating frequency range: fs-2500 Hz
- Cabinet volume - closed box: Vbox=36 ltr, f(-3dB)=43 Hz
- Cabinet volume - vented box: Vbox=65 ltr, fb=25 Hz, f(-3dB)=27 Hz

