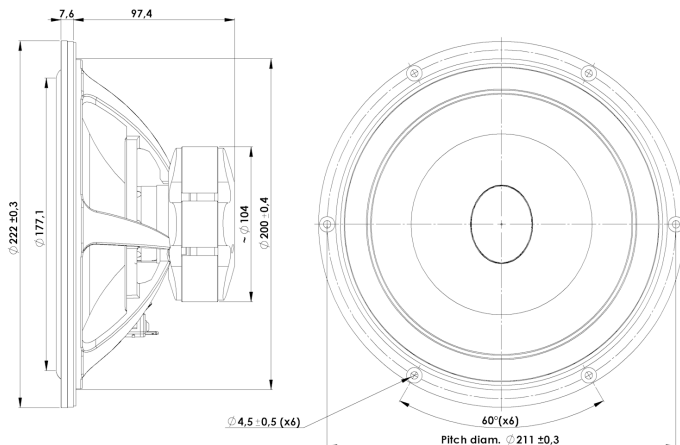


21 cm Midwoofer

21WE/4542T00



T-S Parameters:

Resonance frequency [fs]	38 Hz
Mechanical Q factor [Qms]	5.43
Electrical Q factor [Qes]	0.30
Total Q factor [Qts]	0.28
Force factor [Bl]	8.2 Tm
Mechanical resistance [Rms]	1.1 kg/s
Moving mass [Mms]	25 g
Compliance [Cms]	0.70 mm/N
Effective diaph. diameter [D]	172 mm
Effective piston area [Sd]	233 cm ²
Equivalent volume [Vas]	54 l
Sensitivity (2,83V/1m)	93.5 dB

Mechanical Data:

Voice coil diameter	35/45 mm
Voice coil height	19.5 mm
Voice coil layers	2
Gap height	5 mm
Linear excursion	± 7.2 mm
Max mech. excursion	± 12 mm
Unit weight	1.8 kg
Cabinet Displacement Volume	0.49 l

Electrical Data:

Nominal impedance [Zn]	4 Ω
Minimum impedance [Zmin]	4.3 Ω
Maximum impedance [Zo]	57 Ω
DC resistance [Re]	3.4 Ω
Voice coil inductance [Le]	0.1 mH

Power Handling:

100h RMS noise test (IEC 18.4)	50 W
Long-term max power (IEC 18.2)	100 W
X-over:	None

Key Features:

- Elliptic voice coil
- Very low mechanical losses
- High sensitivity (SPL)
- AirCirc optimized magnetsystem
- Exceptionally low distortion
- Flexible appearance with replaceable decor ring

Recommendations (please see Tech Note):

- Operating frequency range: fs-6000 Hz
- Cabinet volume - closed box: Vbox=12 ltr, f(-3dB)=88 Hz
- Cabinet volume - vented box: Vbox=21 ltr, fb=50 Hz, f(-3dB)=57 Hz

