

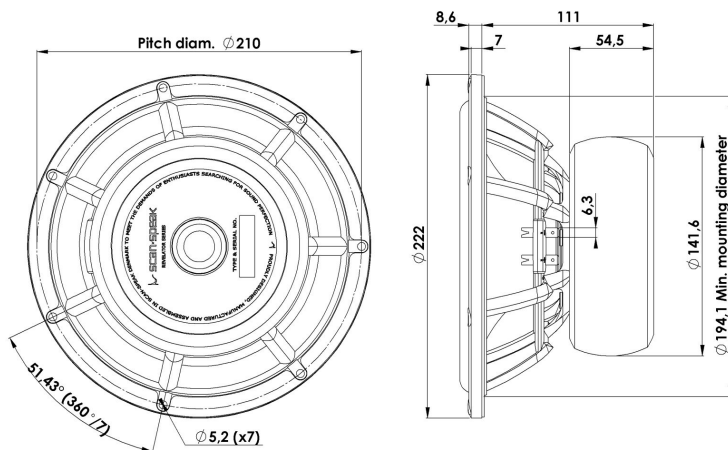


# REVELATOR

## WOOFER

## 22W/8857T00

The Revelator woofers and subwoofers features very rigid cones in paper or aluminium that operates as a piston over a wide frequency range, in combination with Scan-Speaks low-loss linear suspension and the patented Symmetrical Drive (SD-1) it results in very low distortion and a smooth and well behaved frequency response as well as perfect transient reproduction.



### KEY FEATURES:

- Patented Symmetrical Drive Motor Design
- Low-Loss linear suspension
- Die cast Alu Chassis vented below spider
- Rigid Black Anodized Alu Cone
- Low Damping SBR Rubber Surround
- Ferrite Magnet System w. Rubber Boot

#### T-S Parameters

Resonance frequency [fs]	23 Hz
Mechanical Q factor [Qms]	4.90
Electrical Q factor [Qes]	0.32
Total Q factor [Qts]	0.30
Force factor [Bl]	10.1 Tm
Mechanical resistance [Rms]	1.09 kg/s
Moving mass [Mms]	37 g
Compliance [Cms]	1.29 mm/N
Effective diaph. diameter [D]	167 mm
Effective piston area [Sd]	220 cm <sup>2</sup>
Equivalent volume [Vas]	87.7 l
Sensitivity (2.83V/1m)	86 dB
Ratio Bl/√Re	4.06 N/√W
Ratio fs/Qts	77 Hz

#### Notes:

IEC specs. refer to IEC 60268-5 third edition.  
All Scan-Speak products are RoHS compliant.  
Data are subject to change without notice.  
Datasheet updated: January 17, 2019.

#### Electrical Data

Nominal impedance [Zn]	8 Ω
Minimum impedance [Zmin]	7.2 Ω
Maximum impedance [Zo]	101 Ω
DC resistance [Re]	6.2 Ω
Voice coil inductance [Le]	0.35 mH

#### Power Handling

100h RMS noise test (IEC 17.1)	80 W
Long-term max power (IEC 17.3)	200 W

#### Voice Coil & Magnet Data

Voice coil diameter	50 mm
Voice coil height	24 mm
Voice coil layers	2
Height of gap	6 mm
Linear excursion	± 9 mm
Max mech. excursion	± 14 mm
Unit weight	3.6 kg

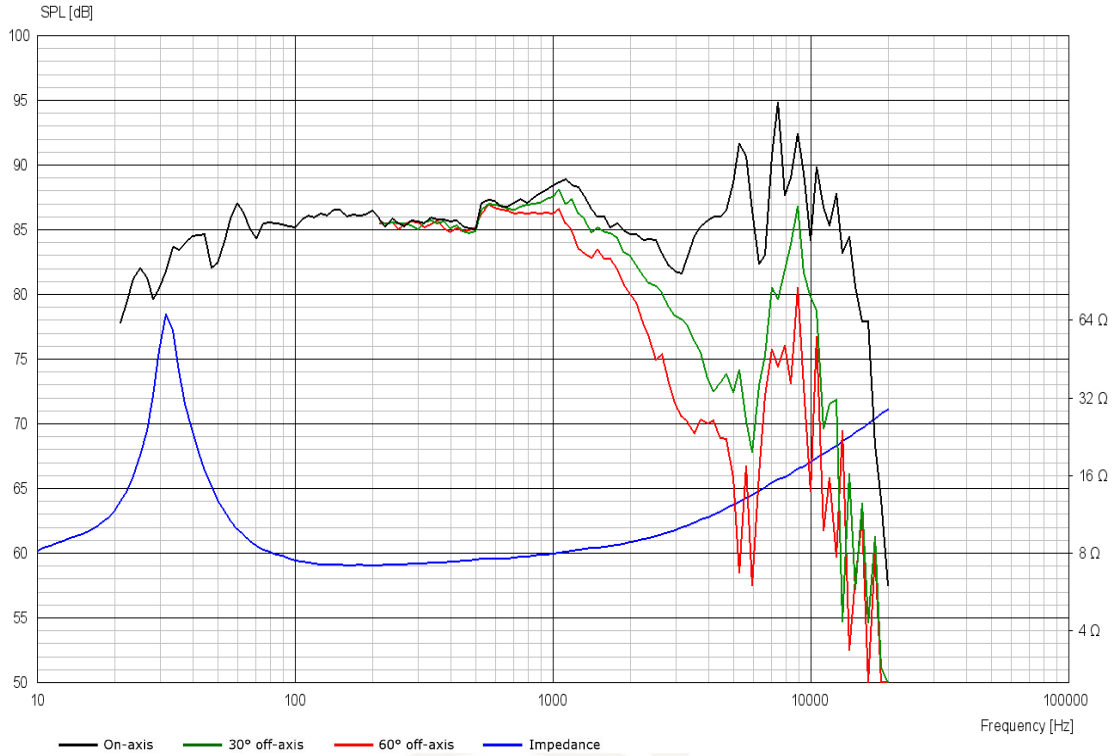




# REVELATOR

## WOOFER

## 22W/8857T00



### Advanced Parameters (Preliminary)



#### Electrical data

Resistance [ $R_{E'}$ ]	6.31 $\Omega$
Free inductance [ $L_{EB}$ ]	0.180 mH
Bound inductance [ $L_E$ ]	12.8 mH
Semi-inductance [ $K_E$ ]	0.0257 SH
Shunt resistance [ $R_{SS}$ ]	30.6 $\Omega$

#### Mechanical Data

Force Factor [ $BI$ ]	8.78 Tm
Moving mass [ $M_{MS}$ ]	38.4 g
Compliance [ $C_{MS}$ ]	0.666 mm/N
Mechanical resistance [ $R_{MS}$ ]	0.840 kg/s
Admittance [ $A_{MS}$ ]	0.0488 mm/N

