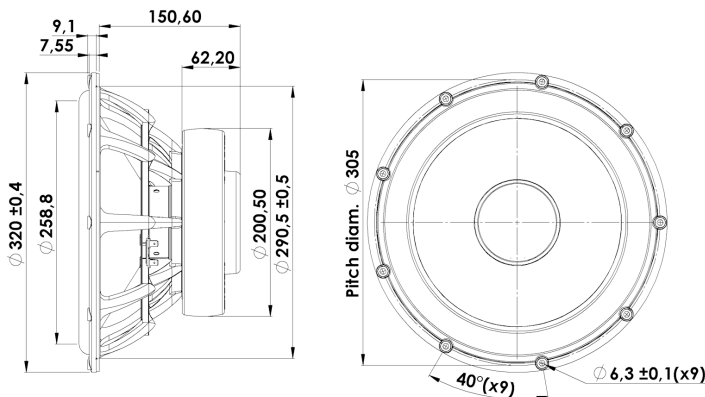


32 cm Woofer

32W/4878T01



T-S Parameters:

Resonance frequency [fs]	23 Hz
Mechanical Q factor [Qms]	6.0
Electrical Q factor [Qes]	0.30
Total Q factor [Qts]	0.28
Force factor [Bl]	13 Tm
Mechanical resistance [Rms]	2.7 kg/s
Moving mass [Mms]	112 g
Compliance [Cms]	0.43 mm/N
Effective diaph. diameter [D]	260 mm
Effective piston area [Sd]	526 cm ²
Equivalent volume [Vas]	170 l
Sensitivity (2,83V/1m)	92 dB

Mechanical Data:

Voice coil diameter	75 mm
Voice coil height	22 mm
Voice coil layers	2
Gap height	8 mm
Linear excursion	± 7 mm
Max mech. excursion	± 28 mm
Unit weight	7.5 kg
Cabinet Displacement Volume	- l

Electrical Data:

Nominal impedance [Zn]	4 Ω
Minimum impedance [Zmin]	- Ω
Maximum impedance [Zo]	- Ω
DC resistance [Re]	3.1 Ω
Voice coil inductance [Le]	0.3 mH

Power Handling:

100h RMS noise test (IEC 18.4)	150 W
Long-term max power (IEC 18.2)	400 W
X-over:	None

Key Features:

- Paper sandwich cone with Patented foam filling
- Lin. excursion (± 7.0 mm) with high efficiency
- Patented Symmetrical Drive motor
- 3" Voice coil, Titanium former and paper reinforced
- Spider with balanced woven in tinsel leads
- Stiff and strong die cast aluminium chassis

Recommendations (please see Tech Note):

- Operating frequency range: fs-1500 Hz
- Cabinet volume - closed box: Vbox=40 ltr, f(-3dB)=53 Hz
- Cabinet volume - vented box: Vbox=69 ltr, fb=30 Hz, f(-3dB)=34 Hz

