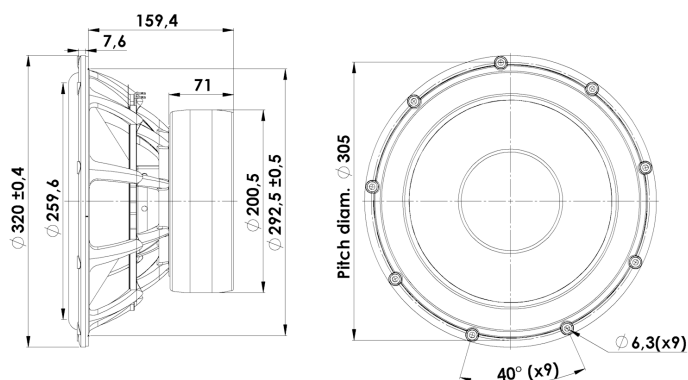


32 cm Woofer

32W/8878T11



T-S Parameters:

Resonance frequency [fs]	21 Hz
Mechanical Q factor [Qms]	3.8
Electrical Q factor [Qes]	0.28
Total Q factor [Qts]	0.26
Force factor [Bl]	16.5 Tm
Mechanical resistance [Rms]	3.3 kg/s
Moving mass [Mms]	95.5 g
Compliance [Cms]	0.6 mm/N
Effective diaph. diameter [D]	260 mm
Effective piston area [Sd]	526 cm ²
Equivalent volume [Vas]	235 l
Sensitivity (2,83V/1m)	91.5 dB

Mechanical Data:

Voice coil diameter	75 mm
Voice coil height	23 mm
Voice coil layers	2
Gap height	8 mm
Linear excursion	± 7.5 mm
Max mech. excursion	± 28 mm
Unit weight	9.8 kg
Cabinet Displacement Volume	- l

Electrical Data:

Nominal impedance [Zn]	8 Ω
Minimum impedance [Zmin]	7.2 Ω
Maximum impedance [Zo]	Ω
DC resistance [Re]	6.1 Ω
Voice coil inductance [Le]	0.6 mH

Power Handling:

100h RMS noise test (IEC 18.4)	350 W
Long-term max power (IEC 18.2)	700 W
X-over:	None

Key Features:

- 92 dB Sensitivity @ 2,83V/1m
- Paper sandwich cone
- Coated foam Surround
- Patented Symmetrical Drive motor
- Powerful motor with dual ferrite magnets
- 3" Voice coil, Titanium former and paper reinforced

Recommendations (please see Tech Note):

- Operating frequency range: fs-1500 Hz
- Cabinet volume - closed box: Vbox=40.5 ltr, f(-3dB)=54 Hz
- Cabinet volume - vented box: Vbox=64.5 ltr, fb=31 Hz, f(-3dB)=37 Hz

