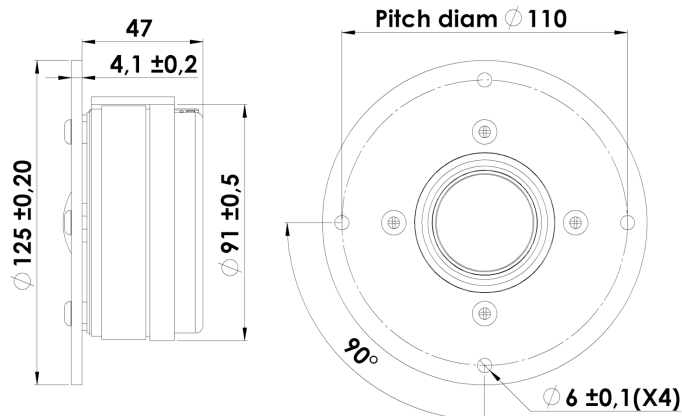


38 mm Dome Tweeter

D3806/820000



T-S Parameters:

Resonance frequency [fs]	450 Hz
Mechanical Q factor [Qms]	0.93
Electrical Q factor [Qes]	1.00
Total Q factor [Qts]	0.48
Force factor [Bl]	3.6 Tm
Mechanical resistance [Rms]	2.44 kg/s
Moving mass [Mms]	0.8 g
Compliance [Cms]	0.16 mm/N
Effective diaph. diameter [D]	42 mm
Effective piston area [Sd]	14 cm ²
Equivalent volume [Vas]	0.04 l
Sensitivity (2,83V/1m)	89 dB

Mechanical Data:

Voice coil diameter	38 mm
Voice coil height	3.2 mm
Voice coil layers	2
Gap height	2.5 mm
Linear excursion	± 0.4 mm
Max mech. excursion	± 1 mm
Unit weight	1.1 kg
Cabinet Displacement Volume	0.28 l

Electrical Data:

Nominal impedance [Zn]	6 Ω
Minimum impedance [Zmin]	6.3 Ω
Maximum impedance [Zo]	11.0 Ω
DC resistance [Re]	5.7 Ω
Voice coil inductance [Le]	0.04 mH

Power Handling:

100h RMS noise test (IEC 18.4)	100 W
Long-term max power (IEC 18.2)	- W
X-over: 2. order HP Butterworth, 1 kHz	

Key Features:

- 1½" Textile Dome Diaphragm
- Optimized for Upper Midrange
- Patented Symmetrical Drive (SD-2) motor
- Low Resonant Rear Chamber
- Black Painted Alu Face Plate

Recommendations (please see Tech Note):

- Operating frequency range: 2000-20000 Hz
- Cabinet volume - closed box: N.a.
- Cabinet volume - vented box: N.a.

