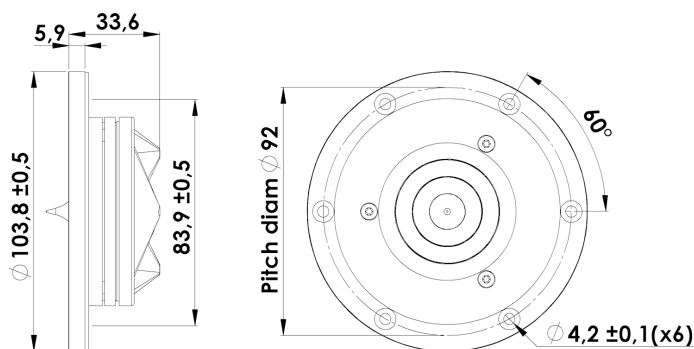


26 mm Dome Tweeter

R2904/700005



Key Features:

- 1" Ring Dome Diaphragm
- Patented Phase Plug Design
- Patented Symmetrical Drive (SD-2) motor
- Large Ring Neo Magnet f. High Output
- Non Resonant Alu Rear Chamber
- Black Anodized Machined Alu Face Plate

Recommendations (please see Tech Note):

- Operating frequency range: 2500-30000 Hz
- Cabinet volume - closed box: N.a.
- Cabinet volume - vented box: N.a.

T-S Parameters:

| | |
|-------------------------------|---------------------|
| Resonance frequency [fs] | 520 Hz |
| Mechanical Q factor [Qms] | 2.90 |
| Electrical Q factor [Qes] | 0.38 |
| Total Q factor [Qts] | 0.33 |
| Force factor [Bl] | 2.8 Tm |
| Mechanical resistance [Rms] | 0.34 kg/s |
| Moving mass [Mms] | 0.3 g |
| Compliance [Cms] | 0.31 mm/N |
| Effective diaph. diameter [D] | 27 mm |
| Effective piston area [Sd] | 5.6 cm ² |
| Equivalent volume [Vas] | 0.01 l |
| Sensitivity (2,83V/1m) | 94.5 dB |

Mechanical Data:

| | |
|-----------------------------|-----------|
| Voice coil diameter | 26 mm |
| Voice coil height | 2.0 mm |
| Voice coil layers | 2 |
| Gap height | 2.5 mm |
| Linear excursion | ± 0.25 mm |
| Max mech. excursion | ± 1.6 mm |
| Unit weight | 0.4 kg |
| Cabinet Displacement Volume | - l |

Electrical Data:

| | |
|----------------------------|---------|
| Nominal impedance [Zn] | 4 Ω |
| Minimum impedance [Zmin] | 3.7 Ω |
| Maximum impedance [Zo] | 26.2 Ω |
| DC resistance [Re] | 3 Ω |
| Voice coil inductance [Le] | 0.01 mH |

Power Handling:

| | |
|--|-------|
| 100h RMS noise test (IEC 18.4) | 160 W |
| Long-term max power (IEC 18.2) | 210 W |
| X-over: 2. order HP Butterworth, 2.5 kHz | |

